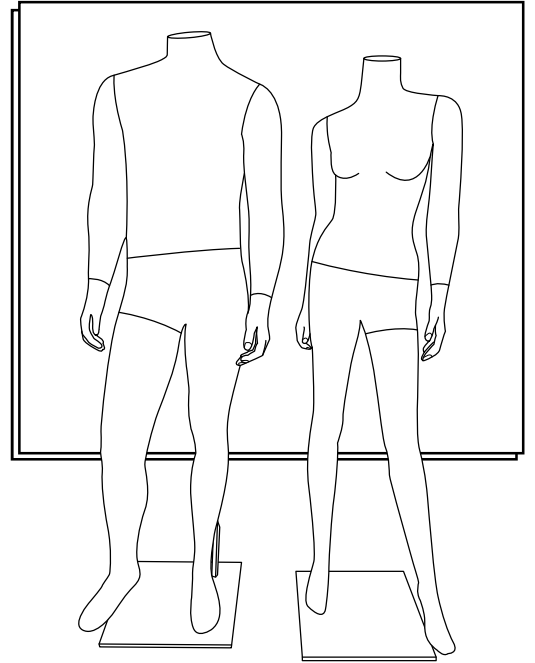
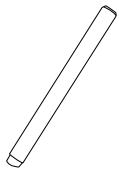


HEADLESS MANNEQUIN



PARTS



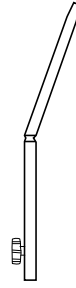
Foot Attachment



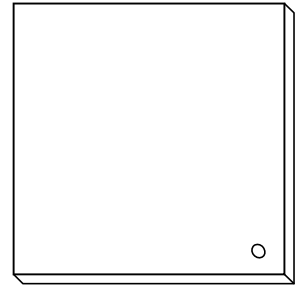
Screw



Washer



Calf Attachment



Glass Base



Left Hand



Right Hand



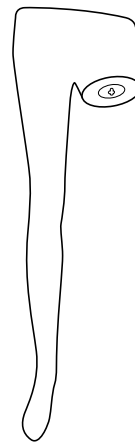
Right Arm



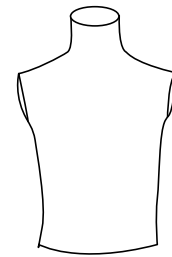
Left Arm



Leg



Leg/Hip Assembly



Torso



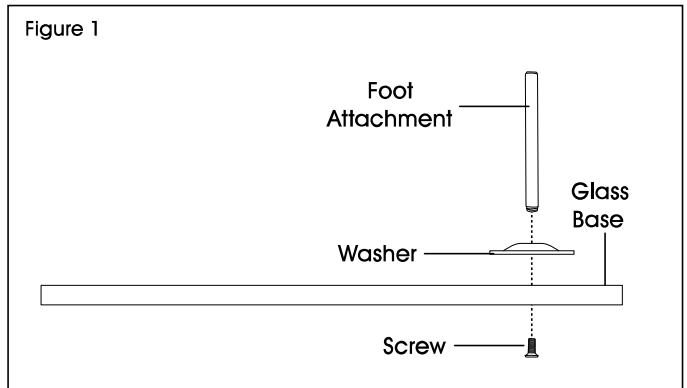
Torso Attachment

ASSEMBLY

1. Attach foot attachment to glass base using screw and washer. (See Figure 1)



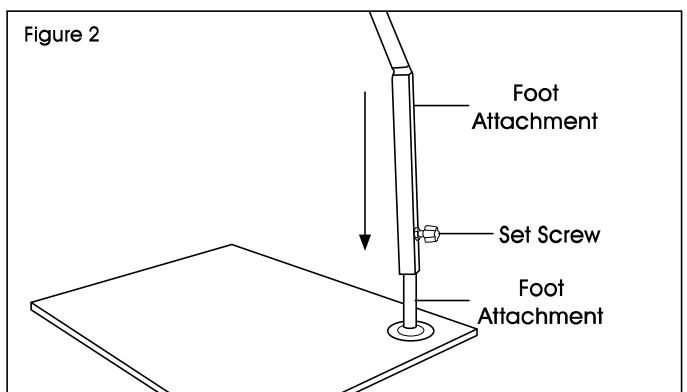
CAUTION! Glass base can be easily broken. Use care during assembly.



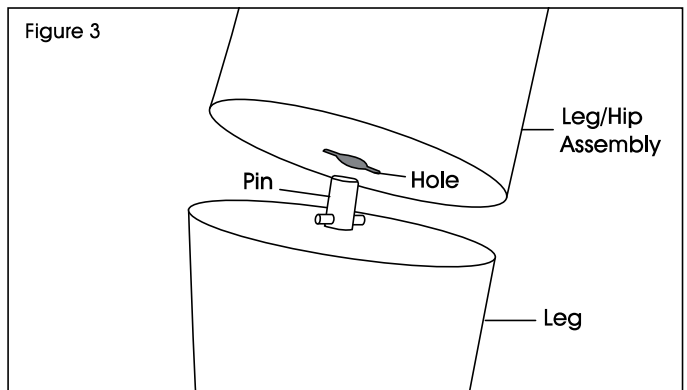
2. For calf attachment assembly, slide calf attachment over foot attachment. Tighten set screw. (See Figure 2)



NOTE: Calf attachment allows shoes to be displayed on mannequin.



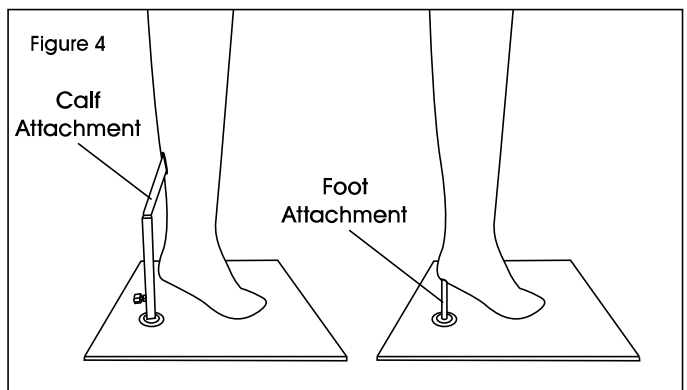
3. Attach leg to leg/hip assembly by matching the pin on the leg to the hole in the leg/hip assembly. (See Figure 3)
4. Twist until the leg is aligned with the leg/hip assembly.



5. Insert foot attachment into hole in the heel of the foot. If using calf attachment, insert calf attachment into the hole in the calf. (See Figure 4)




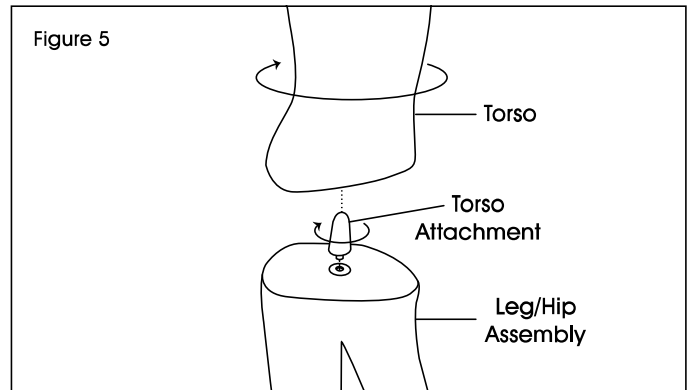
NOTE: The calf and foot attachment should be inserted into the left foot of the male mannequin and into the right foot of the female mannequin.



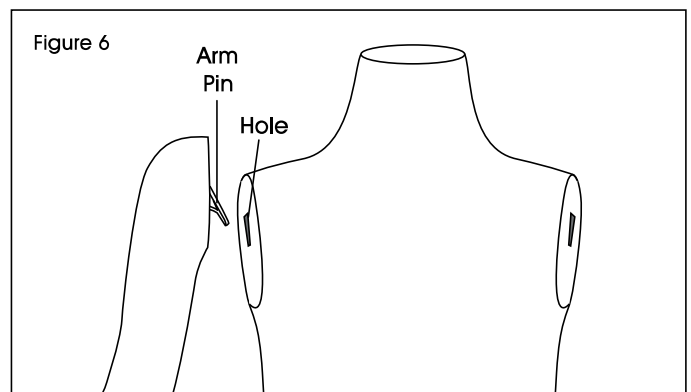
ASSEMBLY CONTINUED

6. Attach torso attachment to leg/hip assembly by turning clockwise. (See Figure 5)
7. Attach torso to leg/hip assembly by placing torso on top of torso attachment and twisting torso into place. (See Figure 5)

 **NOTE:** Make sure glass base is held in place while twisting torso.



8. Attach right arm to torso by inserting arm pin into hole in torso. (See Figure 6)
9. Repeat for left arm.



10. Attach right hand to right arm and screw into place. (See Figure 7)
11. Repeat for left hand.

